



Individual &
collective
defence
solutions



*for
Health Care*

www.gatto.it



Defence
instruments

Individual
Protection



*for
Health Care*

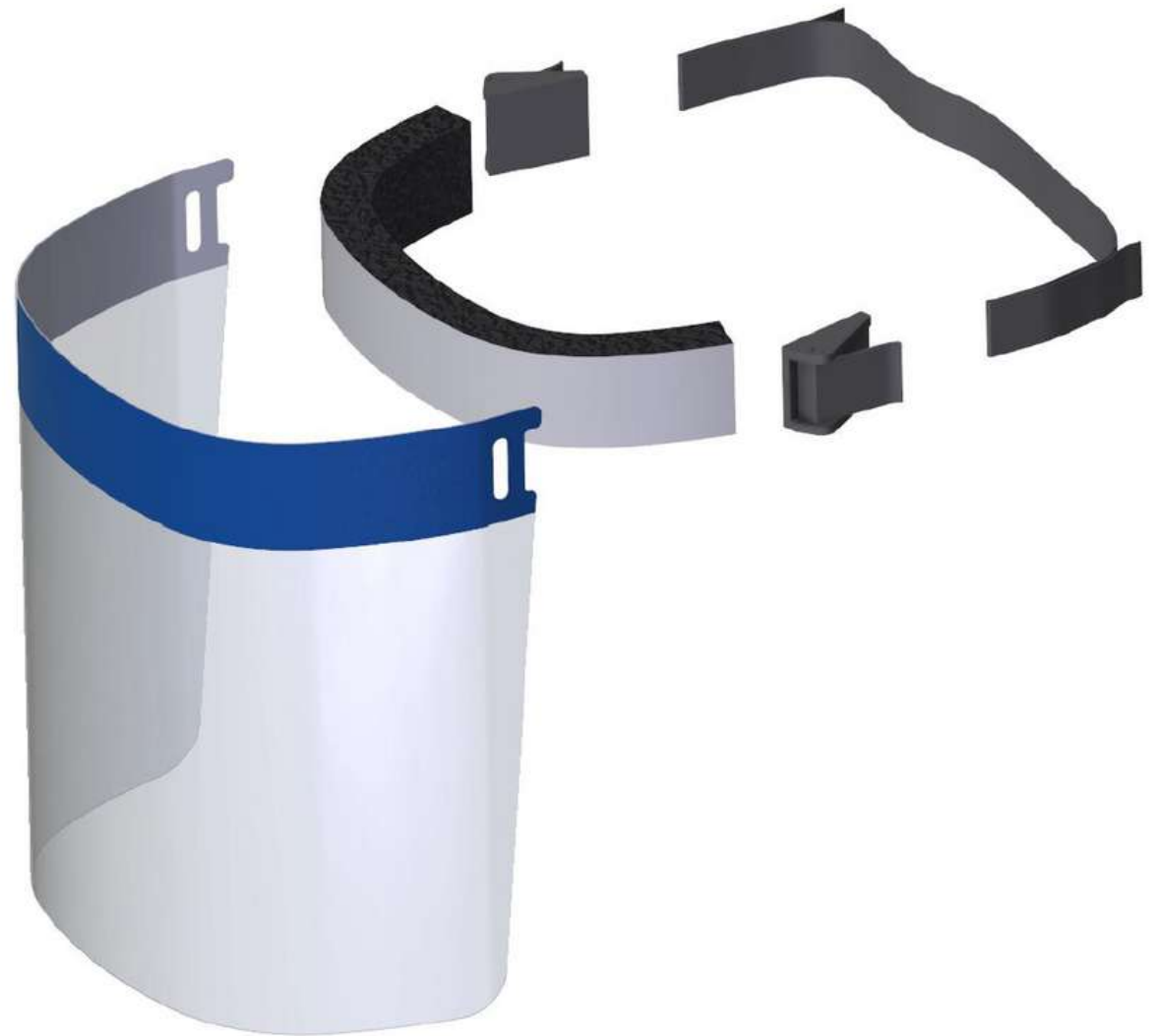
Protective Shield

Face shield nonsurgical

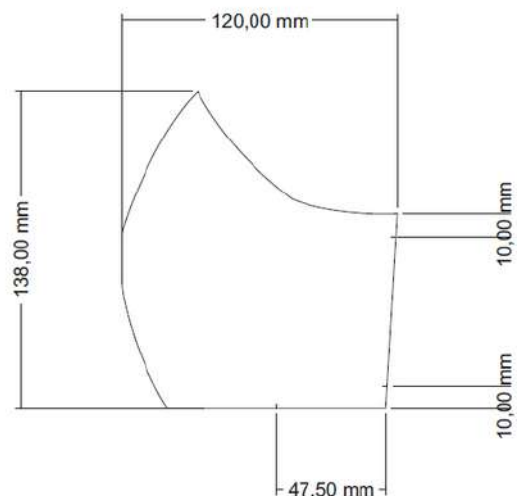
Components: Elastic tape, door buckle, sponge and PETG visor

Printing words: Yes

Whole Size: 19,5*20/22cm (height*width)



* This visor does not meet the technical requirements of the EN166 standard as it is a Class 1 medical device and not an individual protection device (PPE). The cited standard refers to PPE.



Fabric Reusable customizable Mask

Made in Italy / with surgical elastic

Externally composed of a 220 gr microfiber.

100% polyester externally customized with sublimation printing with a water-repellent treatment.

Internally seat for the removable filters

Guaranteed up to 10 washes

Customizable with logo or covering texture

Interchangeable filters

Packs of 30 pieces



*These masks were developed to contain the spread of the COVID-19 virus and comply with indications of the Law Decree n.18 of 17/03/2020 e of the related Circular of the Ministry of Health 0003572-P-18/03/2020, of free sale until end of the COVID-19 emergency (currently set as of 31/07/2020) according to the Resolution of the Ministers of 31 January 2020.



Eyewear Anti-Fog

Liquid spray



*for
Health Care*





food sanitizing solution

Sanitizing solution for the reuse of the masks

hydroalcoholic solution Alcohol Mask at 75% alc./vol. with natural mint flavor, also suitable for food consumption

it is also useful for sanitizing children's cutlery, fruit and toys; it can also be used for gloves, telephones, keyboards, handles, taps and bathroom tablets



for
Health Care



Pochette Kit

Option nr 1: 2 reusable mask, 30 interchangeable filters & 1 hygenic Liquid 100 ml

Option nr 2: 2 reusable mask, 30 interchangeable filters, 1 hygenic Liquid 100 ml & sanitizing solution for the reuse of the masks

Size: 240x 145 mm

Single items packing available

Colors: Blue, black, white and red (until exhaustion)

Customizable with frontal logo (or with metal-plate)

Puller zip customizable with logo



Customizable

Custom composition



Sanitizing hand gel

100 ml container

500 ml dispenser

5 liter tank

Composition: more than 65% Alcohol

Customizable with logo



for
Health Care



Defence
instruments

Perimeter
Protection



*for
Health Care*



Classical Sanitizing Tower

Sanitizing hand gel dispenser tower with 500 ml hand gel on top

Size: 220 x 220 x 1000 mm

Materials: PS, PMMA

Customizable with logo on top

For quantities exceeding 20 pieces possibility to print on the entire surface
(space available 220 x 1000 mm)





Automatic sanitizing hand gel dispenser

Totem with infrared electronic hand gel dispenser

Size: 150 cm x 10 cm

Customizable with logo on the top

Floor or wall mounted



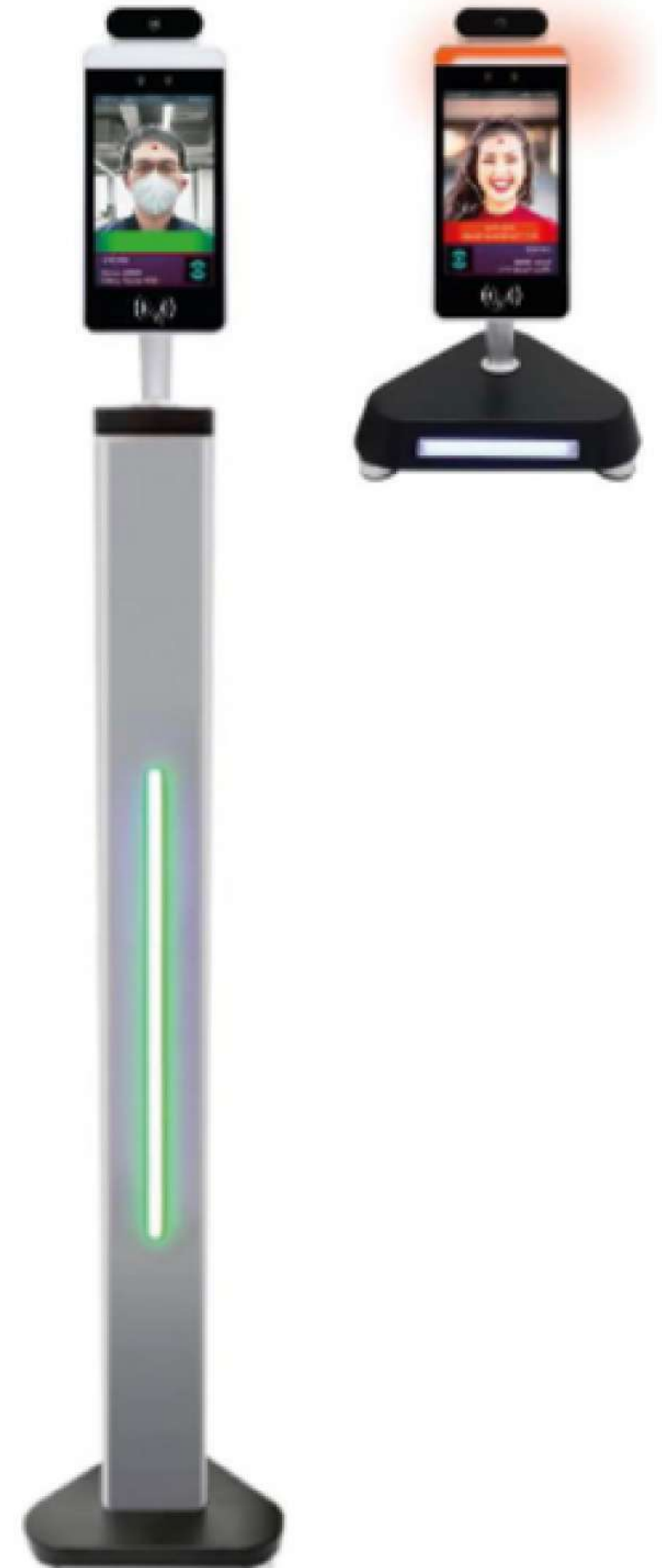
Monitoring station

Body temperature monitoring station

Measure the temperature also with the mask, alarm above 37.5°

The vertical measurement management module temperature sensor is equipped with a video camera binocular.

Takes less than 5 second detection of the temperature



Thermal camera

Portable thermal camera Non-contact temperature meter

Thermographic sensor 240 x 320 LCD screen

Measuring range of the temperature: + 20 ° C + 50 ° C

Measurement accuracy of the Temperature: ± 0.5 ° C

Rechargeable lithium battery with lasts up to 8 hours

Storage on removable memory Up to 32G

Size : 194mm x 61.5mm x76 mm

Not intrusive for detection of body temperature without contact (distance of safety up to 1m).



* Solution supply in collaboration with [videlio](#)

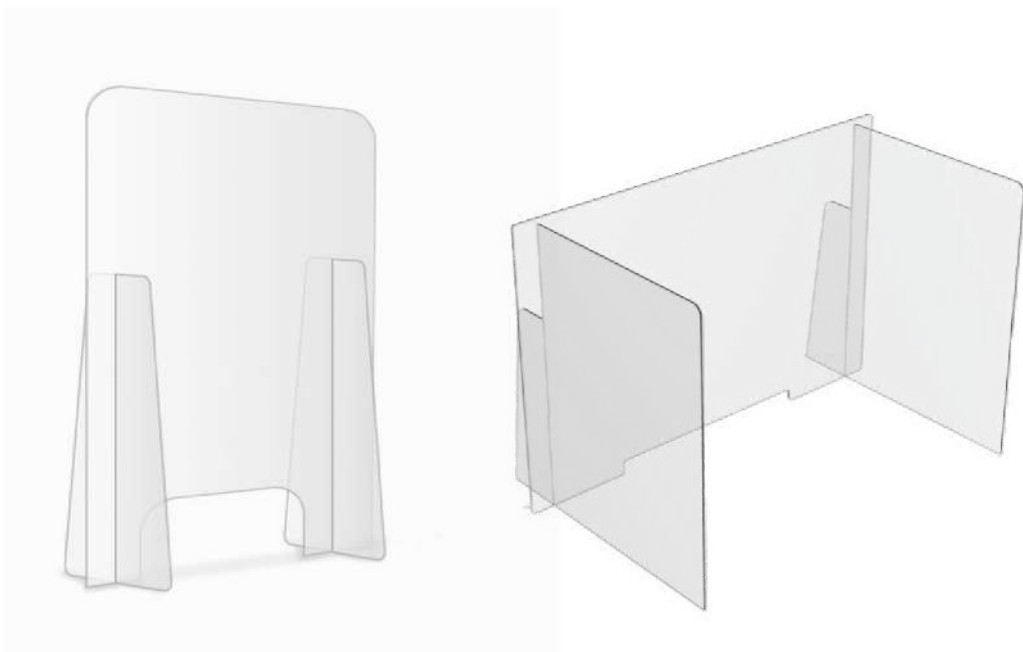


Defence
instruments

Internal
Protection



for
Health Care



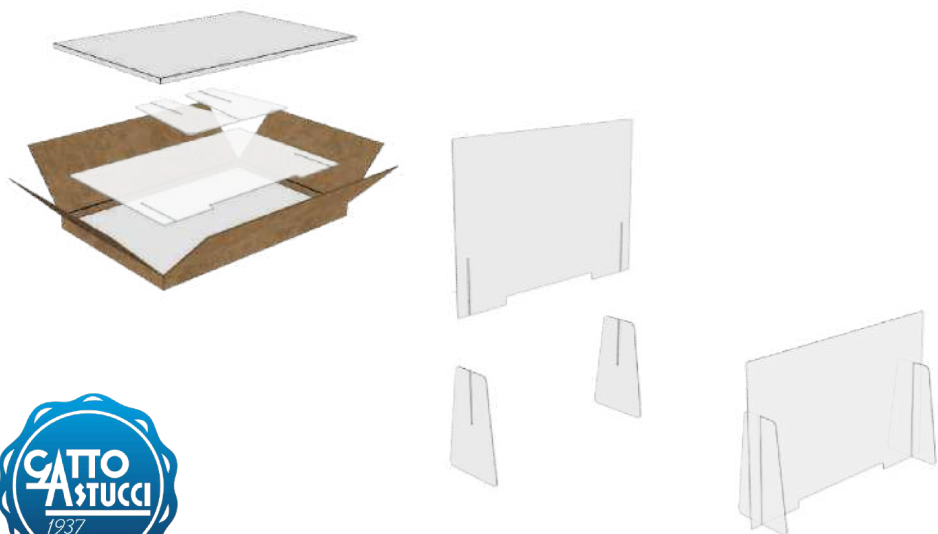
Desk separator

Custom Icon

Logistic & installation support

End of life recovery and recycling of the product

Different types and size



for
Health Care





Restaurant & Fast food table separator

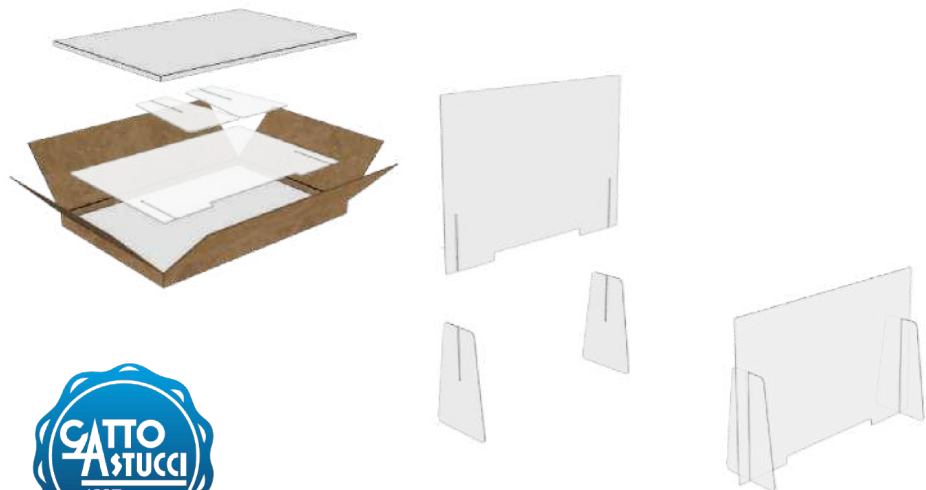
Custom Icon

Logistic & installation support

End of life recovery and recycling of the product

Different type and size

With glove compartment, menu pocket & interchangeable graphics





Stand floor separator

Custom Icon

Logistic & installation support

End of life recovery and recycling of the product

Different types and size



*for
Health Care*





Production desk separator

Custom Icon

Logistic & installation support

End of life recovery and recycling of the product

Different type and size

With tool compartment & card pocket

Transparent films

Customizable and easily removable



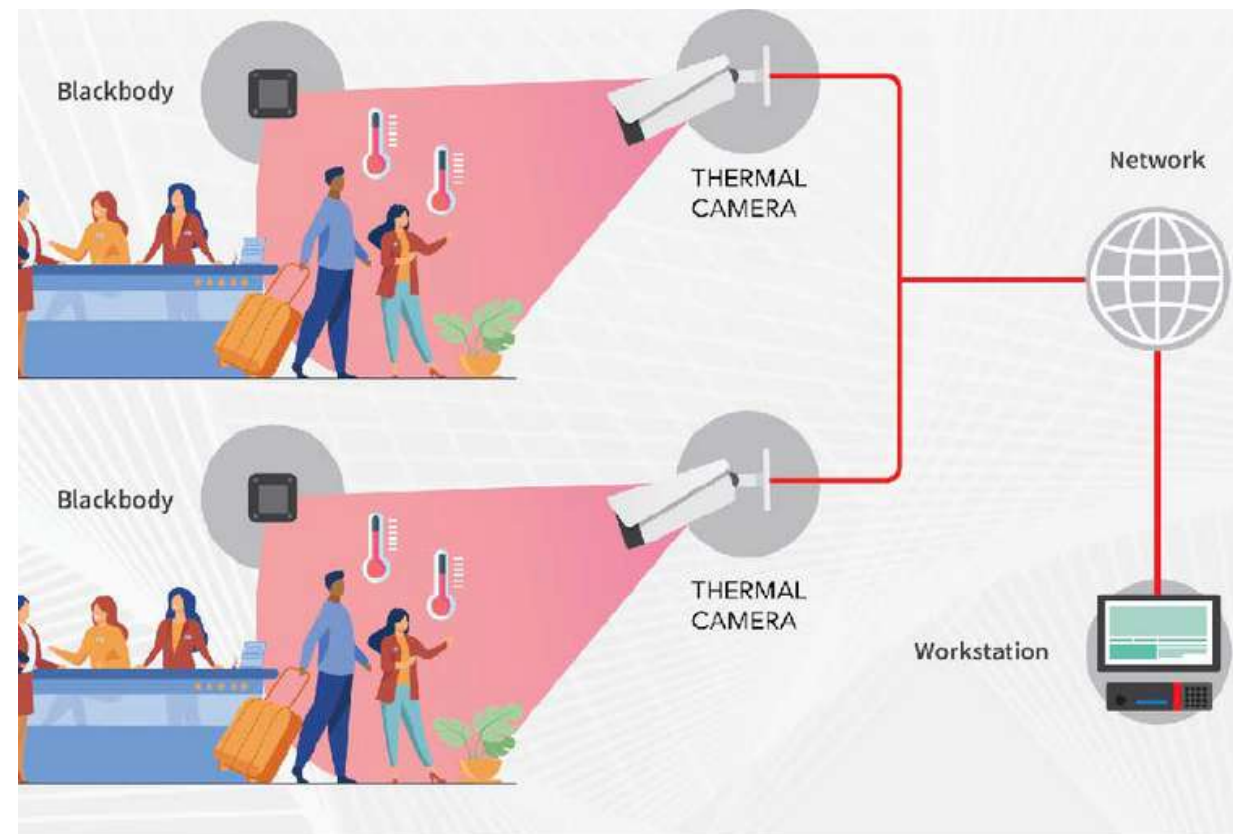
Mass Temperature Control

Fixed camera for large areas

Instantly detects presents in the Framed scene and measures the temperature

The ideal distance between target and camera for a accurate measurement is 3 meters

Ideal for large areas and with the possibility for the operator to stay at a safe distance



* Solution supply in collaboration with [videlio](#)



QR Code / Visuals

Qr code visuals in order to explain rules on the main correct behaviors

- Window visuals
- Brand plates
- Wall plates
- Carpets
- Cleaning cloths
- Roll up



for
Health Care





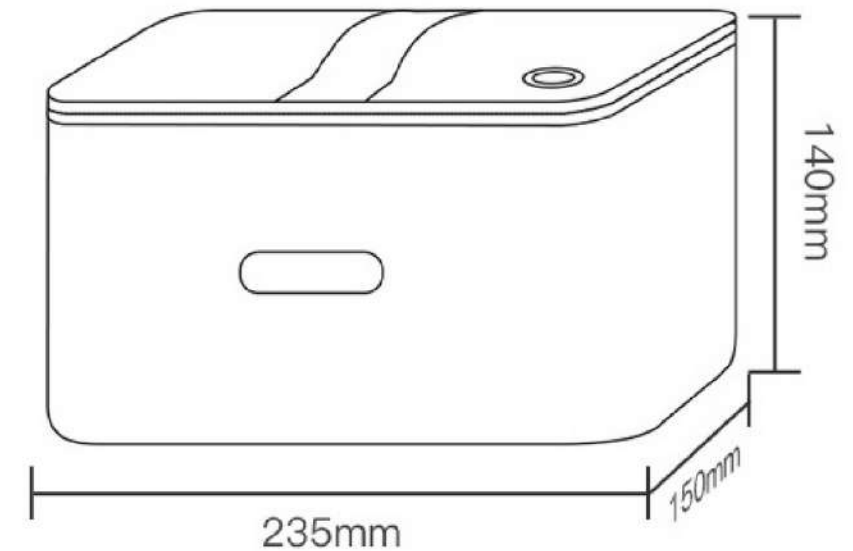
Mobile UV Igenizers

Sanitizers multi-function sterilizing bag with Usb charging

Material: Eco PU

Colors: Beige (other on request)

Sanitizing cycle in 5 minutes



Available in many
other types and size





On the front lines

Part of the proceeds from sales is
devolved to support Giovanni Paolo
II Hospital (Pieve di Cadore - BL)

Donation of the items to charitable
structures





- Some item images are purely indicative and may be subject to small variations
- Availability of products could vary from case to case
- The selling price of the items is subject to variations due to fluctuations in the market costs for raw materials



Custom item



Logistic & installation support



Part of the proceeds from sales is devolved to support Giovanni Paolo II Hospital (Pieve di Cadore)



End of life recovery and recycling of the product



Intertek



Intertek



Il marchio della gestione forestale responsabile

Contact & Info



covid19@gatto-group.com



0039 0435 52321



www.gatto.it

